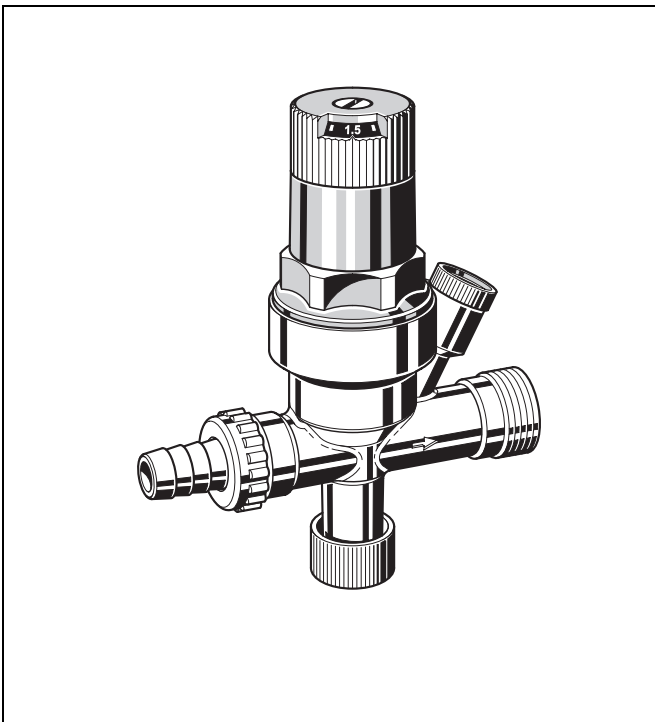


VF06

Filling valve for closed heating systems

Product specification sheet



Construction

The filling valve comprises:

- Housing
- Spring bonnet with setting scale
- Spring
- Valve insert
- Check valve cartridge
- Shutoff insert with knurled knob

Materials

- Brass housing, dezincification resistant
- High grade, heat resistant synthetic material spring bonnet
- Spring steel adjustment spring
- High-quality, high-temperature resistant synthetic material check valve cartridge
- Fibre-reinforced NBR diaphragm
- NBR seals

Application

The VF06 filling valve permit simple and safe filling or refilling of a closed heating system.

A pressure reducing valve, a check valve and a shutoff facility are combined in one unit. The pressure gauge connection enables fitting of a pressure gauge (available as an accessory) to provide accurate checking of the pressure of a system after filling.

Special Features

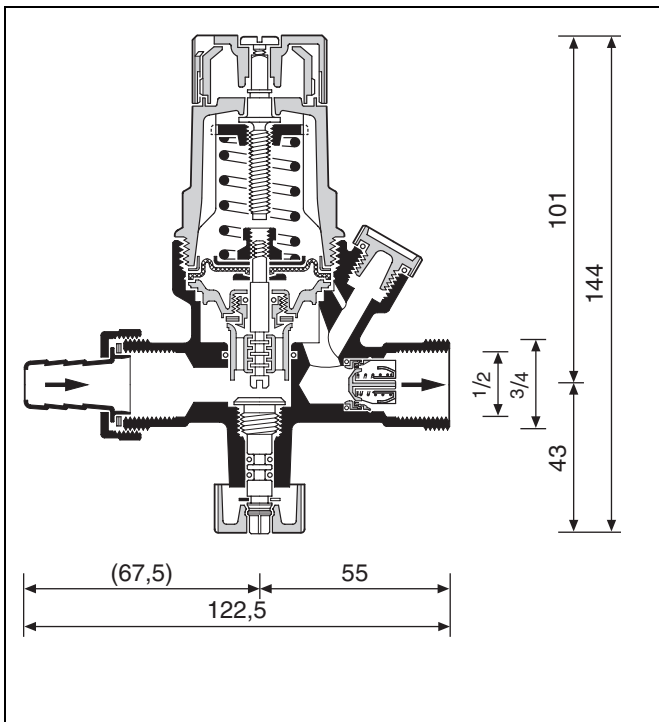
- Housing with internal and external threads
- A turn of the adjuster knob is all that is required to set the differential pressure required
- The setting is directly read on the indicator scale
- Completly replaceable high grade synthetic material insert
- DIN/DVGW approved check valve
- Balanced-seat pressure reducing valve - inlet pressure fluctuations do not influence outlet pressure
- Integral shutoff facility
- Alternative connections

Range of Application

Closed heating systems to DIN 4751

Technical Data

Operating temperature	max. 40°C accord. to DIN EN 1567 max. 70°C (max. operating pressure 10 bar)
Inlet pressure	max. 16 bar
Outlet pressure	0.5 bar to 3.0 bar adjustable Set during manufacture to 1.5 bar
Connections	Inlet R ¹ / ₂ " internal and R ³ / ₄ " external threads Outlet R ¹ / ₂ " internal and R ³ / ₄ " external threads



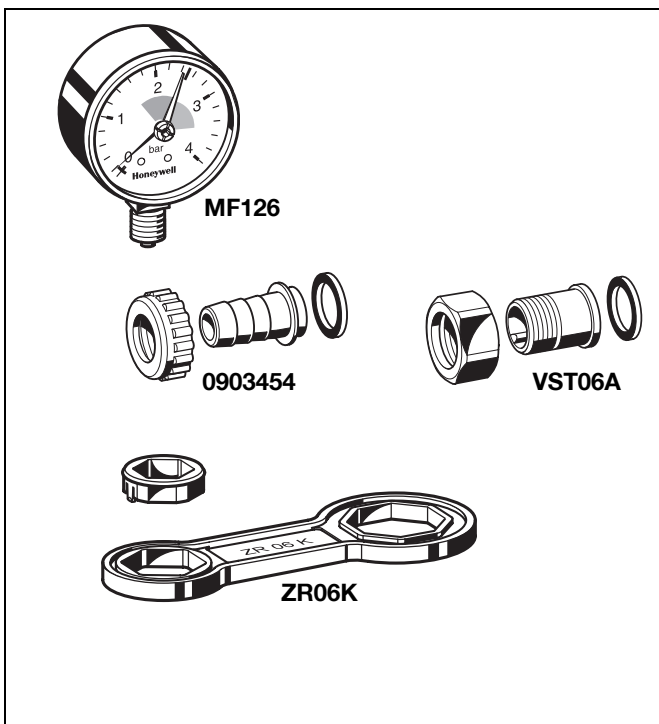
Method of Operation

The integral pressure reducing valve operates by means of a force equalising system. The force of a diaphragm operates against the force of an adjustment spring. The inlet pressure does not influence either opening or closing of the valve. Inlet pressure fluctuations do not therefore influence the outlet pressure, thus providing inlet pressure compensation. An integral check valve protects the drinking water supply by allowing water to pass through in only one direction. In the flow direction, a seal disc is pushed open against the force of a spring by differential pressure. Am nachrüstbaren Manometer kann der Anlagendruck nach dem Befüllen der Anlage kontrolliert werden.

Options

VF06-...A = With hose union connector

VF06-...B = With threaded union connector



Accessories

MF126-A4 Pressure gauge

Housing diameter 63 mm, connection thread G 1/4", range 0 - 4 bar, with red hand at 1.5 bar, red mark at 2.5 bar and green field between 1.5 and 2.5 bar

0903454 Hose connector union complete

With hose connector union, screw and gasket ring

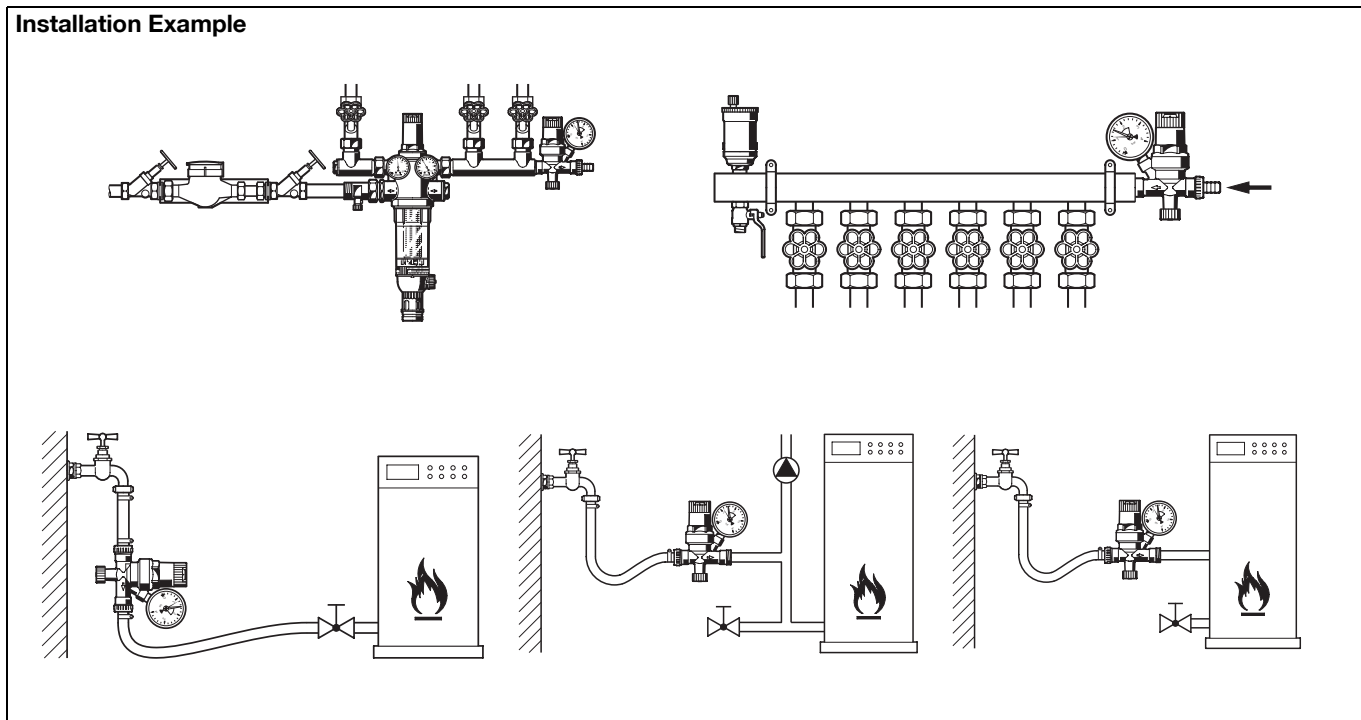
VST06-1/2A Connection set

With threaded union connector, screw and gasket ring

ZR06K Double ring wrench

For removal of spring bonnet

Installation Example



Installation Guidelines

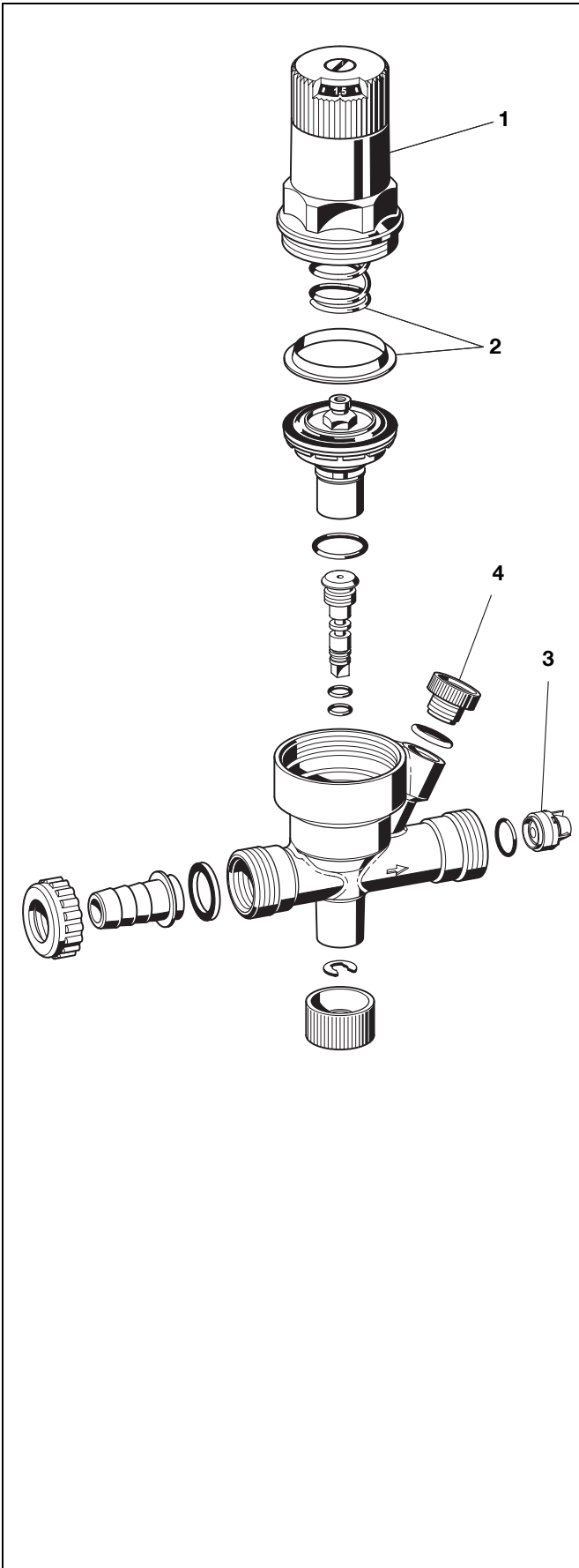
- Outlet pressure set during manufacture to 1.5 bar
 - o other values for outlet pressure to be set with adjuster knob
- Disconnect hose connection from filling valve after filling
- Check system pressure after every filling or refilling
- Ensure good accessibility
 - o Simplifies maintenance and inspection

Typical Applications

The VF06 filling valve permit simple and safe filling or refilling of a closed heating system.

Filling valves can be installed:

- In combination with a water supply distributor manifold
- Onto a heating circuit distributor manifold
- On a heating boiler via a fill hose
- In the supply to a heating boiler
- Directly onto a heating boiler
- As a filling set for trouble-free and safe initial filling of a system



Spare Parts

Filling valve VF06, 1998 onwards

No.	Description	Dimension	Part No.
1	Spring bonnet complete		0903445
2	Valve insert complete (filter not incl.)	1/2" + 3/4"	D06FA-1/2
3	Check valve		2166200
4	Blanking plug with O-ring R1/4" (5 pcs.)		S06K-1/4

Automation and Control Solutions

Honeywell GmbH
 Hardhofweg
 D-74821 Mosbach
 Phone: (49) 6261 810
 Fax: (49) 6261 81309
<http://europe.hbc.honeywell.com>
www.honeywell.com

Manufactured for and on behalf of the
 Environmental and Combustion Controls Division
 of Honeywell Technologies Sàrl, Z.A. La Pièce 16,
 1180 Rolle, Switzerland by its Authorised Repre-
 sentative Honeywell GmbH

EN0H-1024GE23 R0411
 Subject to change without notice
 © 2011 Honeywell GmbH

Honeywell