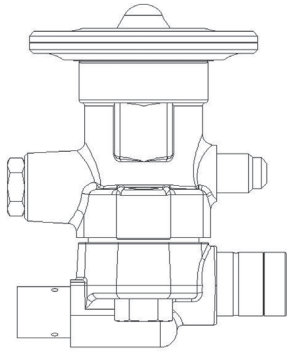


# T Series Thermal Expansion Valve



①

Applications	Operating Ranges (°F/°C)
<b>R134a/R12/R401A</b> Domestic Refrigeration and Freezers Ice Makers Dehumidifiers Transport Refrigeration Medium Temperature Supermarket Equipment Medium Temperature Commercial Equipment	FC/MC
	FZ/MZ
	EW 15/MW 15 (MOP)
	EW 35/MW 35 (MOP)
	MW 65
<b>R22/R407C/R407A</b> Residential AC & Heat Pumps Commercial and Industrial Chillers Dehumidifiers Transport Refrigeration Medium Temperature Supermarket Equipment Commercial Air Handlers	HAA/HCA AIR CONDITIONING & HEAT PUMP
	HC
	HW 35 (MOP)
	HW 65 (MOP)
	HZ
<b>R404A/R502/R402A/R507</b> Low Temp Freezers & Display Cases Ice Makers Commercial AC Soft Ice Cream Machines Environmental Chambers	RC/SC/PC
	RZ/SZ/PZ
	RW 45/SW 45/PW 45 (MOP)
	RW 65/SW 65/PW 65 (MOP)
	ZW 195
<b>R410A</b>	

Charge Selection

Selección de Carga

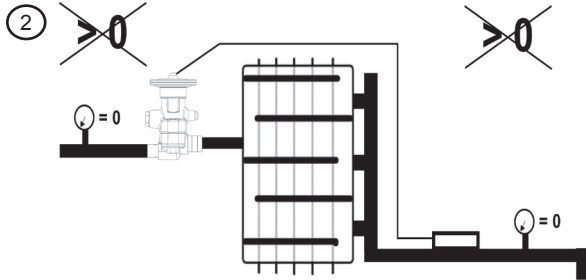
Seleção da Carga

Sélection de la charge

チャージ選定

차지 선택

充注选择



System Pressures: Installation or Removal

Reguladores de Presión del Sistema : Instalación o Remoción

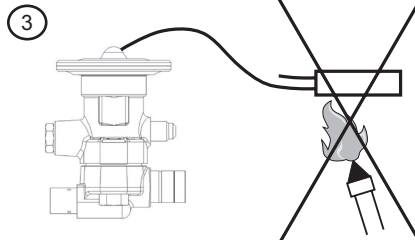
Pressões de Sistema:- Instalação ou Remoção

Systèmes sous pression: Installation ou enlèvement

装置圧力：取付け時または、取外し時

시스템 압력：설치 혹은 제거

系统压力：安装或拆除



WARNING: Do Not Place Open Flame On or Near Bulb!

ADVERTENCIA: No coloque la llama abierta encendida sobre o cerca del bulbo!

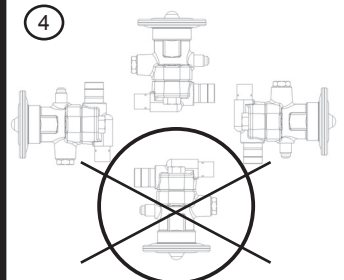
AVISO: Não coloque a chama aberta sobre ou proximo ao bulbo!

AVERTISSEMENT: Ne Pas Placer la Flamme Ouverte Sur ou près de l'Ampoule!

警告：感温筒の周辺では火気厳禁

경고：화기를 감온구 위나 근처에 두지 마시오.

警告：请勿将感温包放置在明火附近!



Valve Orientation

Orientación de Válvulas

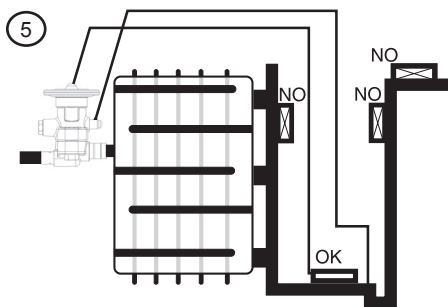
Orientação da Válvula

Orientation de la valve

バルブの向き

밸브 방향

阀的安装角度



Bulb & External Equalizer Locations

Ubicación del Bulbo Sensor y del Igualador Externo

Localização do Bulbo e do Equalizador Externo

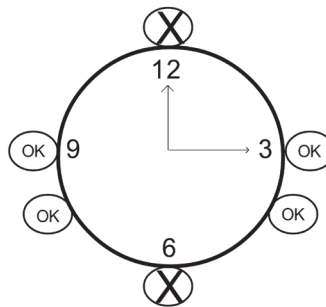
Location de la bulbe et de l'égalisateur externe

感温筒と外部均圧管取付け位置

감온구 과 외부 균압관 위치

感温包和外平衡管位置

⑥



Bulb Location

Ubicación del Bulbo Sensor

Localização do Bulbo

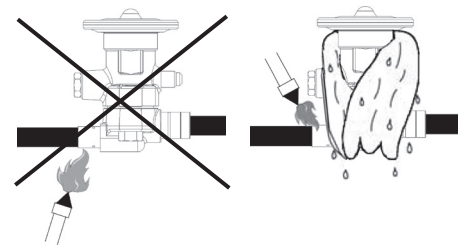
Location de la bulbe

感温筒の取付位置

감온구 위치

感温包位置

⑦



Solder Techniques

Técnicas para Soldar

Técnicas de Soldagem

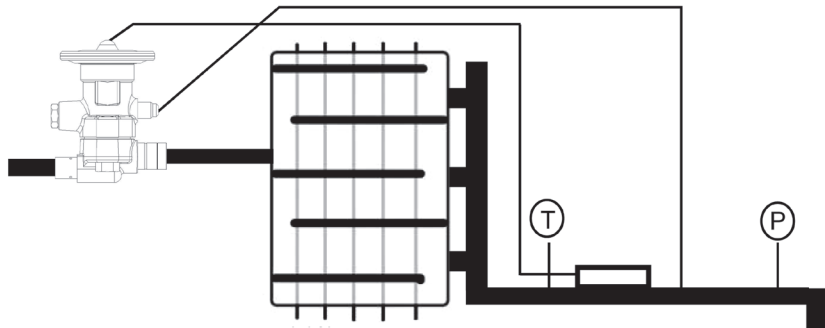
Technique de soudure

溶接方法

용접 기술

焊接技术

8



R-22:

1. T = 52°F (11°C)
2. P = 68 psig (4.7 bar g) → Tp = 40°F (4°C)
3. T - Tp = T<sub>SH</sub>  
52°F (11°C) - 40°F (4°C) = 12°F (7°C)

Determining Superheat

Determinación del Sobrecalentamiento

Definindo o Superaquecimento

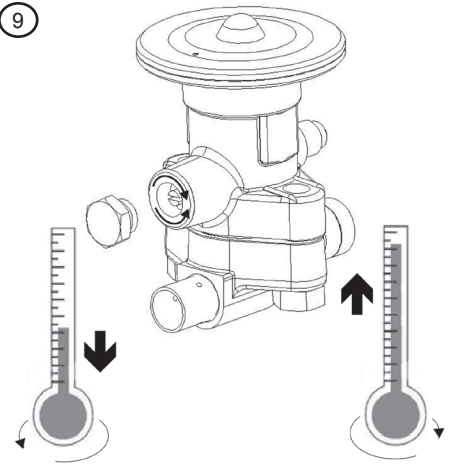
Détermination de la surchauffe

過熱度の設定

측정 과열도

确定过热度

9



Adjust Superheat

Sobrecalentamiento

Ajuste o Superaquecimento

Ajustement de la surchauffe

過熱度調整

과열도 조절

调整过热度.

10

TXV SUPERHEAT ADJUSTMENT

Valve Family	"Total Turns"	Degrees of SH Per Turn					
		R-22		R-134a	R-404A/507A		R-410A
		+20°F/-7°C	-20°F/-29°C	+20°F/-7°C	+20°F/-7°C	-20°F/-29°C	+40°F/4°C
T	32	.08	1.5	1.0	.5	1.0	NA

Turn adjustment clockwise to increase superheat, counterclockwise to decrease superheat. To return to approximate original factory setting, turn adjustment stem counterclockwise until the spring is completely unloaded (reaches stop or starts to "ratchet"). Then, turn it back in one half of the "Total Turns" shown on the chart.

Approximate Superheat Change Per Turn

Grado de cambio aproximado de sobrecalentamiento por vuelta

Variação aproximada do superaquecimento por volta

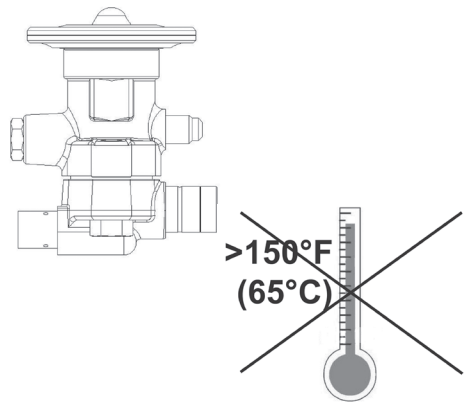
Changement approximatif de la surchauffe par tour

一回転あたりのおよその過熱度変化

한 바퀴당 변하는 대략의 과열도

每旋转一圈过热度的变化

11



Maximum Working Temperatures

Temperaturas Máximas de Trabajo

Temperatura Máxima de Operação

Température de fonctionnement maximal

最高作動温度

최대 작동 온도

最高工作温度

