

Coupling contactor relay, 2 NO + 2 NC, 24 V DC, 0.7 ... 1.25* US, with integrated diode, Size S00, screw terminal suitable for PLC outputs



Product brand name	SIRIUS
Product designation	Coupling relay for switching auxiliary circuits
Product type designation	3RH2

General technical data	
Size of contactor	S00
Product extension	No
<ul style="list-style-type: none"> Auxiliary switch 	No
Insulation voltage	690 V
<ul style="list-style-type: none"> with degree of pollution 3 rated value 	690 V
Degree of pollution	3
Surge voltage resistance rated value	6 kV
Protection class IP	IP20
<ul style="list-style-type: none"> on the front 	IP20
Shock resistance at rectangular impulse	10g / 5 ms, 5g / 10 ms
<ul style="list-style-type: none"> at DC 	10g / 5 ms, 5g / 10 ms
Shock resistance with sine pulse	15g / 5 ms, 8g / 10 ms
<ul style="list-style-type: none"> at DC 	15g / 5 ms, 8g / 10 ms
Mechanical service life (switching cycles)	30 000 000
<ul style="list-style-type: none"> of contactor typical 	30 000 000

Reference code acc. to DIN EN 81346-2	K
Reference code acc. to DIN EN 61346-2	K
Ambient conditions	
Installation altitude at height above sea level	
• maximum	2 000 m
Ambient temperature	
• during operation	-25 ... +60 °C
• during storage	-55 ... +80 °C
Main circuit	
No-load switching frequency	
• at AC	10 000 1/h
• at DC	10 000 1/h
Control circuit/ Control	
Type of voltage of the control supply voltage	DC
Control supply voltage at DC	
• rated value	24 V
Operating range factor control supply voltage rated value of magnet coil at DC	
• initial value	0.7
• Full-scale value	1.25
Design of the surge suppressor	with diode
Closing power of magnet coil at DC	2.8 W
Holding power of magnet coil at DC	2.8 W
Closing delay	
• at DC	30 ... 100 ms
Opening delay	
• at DC	7 ... 13 ms
Arcing time	10 ... 15 ms
Auxiliary circuit	
Number of NC contacts for auxiliary contacts	2
• instantaneous contact	2
Number of NO contacts for auxiliary contacts	2
• instantaneous contact	2
Identification number and letter for switching elements	22 E
Operating current at AC-12 maximum	10 A
Operating current at AC-15	
• at 230 V rated value	10 A
• at 400 V rated value	3 A
• at 500 V rated value	2 A
• at 690 V rated value	1 A

Operating current at 1 current path at DC-12	
• at 24 V rated value	10 A
• at 110 V rated value	3 A
• at 220 V rated value	1 A
• at 440 V rated value	0.3 A
• at 600 V rated value	0.15 A
Operating current with 2 current paths in series at DC-12	
• at 24 V rated value	10 A
• at 60 V rated value	10 A
• at 110 V rated value	4 A
• at 220 V rated value	2 A
• at 440 V rated value	1.3 A
• at 600 V rated value	0.65 A
Operating current with 3 current paths in series at DC-12	
• at 24 V rated value	10 A
• at 60 V rated value	10 A
• at 110 V rated value	10 A
• at 220 V rated value	3.6 A
• at 440 V rated value	2.5 A
• at 600 V rated value	1.8 A
Operating frequency at DC-12 maximum	1 000 1/h
Operating current at 1 current path at DC-13	
• at 24 V rated value	10 A
• at 110 V rated value	1 A
• at 220 V rated value	0.3 A
• at 440 V rated value	0.14 A
• at 600 V rated value	0.1 A
Operating current with 2 current paths in series at DC-13	
• at 24 V rated value	10 A
• at 60 V rated value	3.5 A
• at 110 V rated value	1.3 A
• at 220 V rated value	0.9 A
• at 440 V rated value	0.2 A
• at 600 V rated value	0.1 A
Operating current with 3 current paths in series at DC-13	
• at 24 V rated value	10 A
• at 60 V rated value	4.7 A
• at 110 V rated value	3 A

<ul style="list-style-type: none"> • at 220 V rated value • at 440 V rated value • at 600 V rated value 	<p>1.2 A</p> <p>0.5 A</p> <p>0.26 A</p>
Operating frequency at DC-13 maximum	1 000 1/h
Design of the miniature circuit breaker	C characteristic: 6 A; 0.4 kA
<ul style="list-style-type: none"> • for short-circuit protection of the auxiliary circuit up to 230 V 	
Contact reliability of auxiliary contacts	1 faulty switching per 100 million (17 V, 1 mA)

UL/CSA ratings

Contact rating of auxiliary contacts according to UL	A600 / Q600
-------------------------------------------------------------	-------------

Short-circuit protection

Design of the fuse link	fuse gL/gG: 10 A
<ul style="list-style-type: none"> • for short-circuit protection of the auxiliary switch required 	

Installation/ mounting/ dimensions

Mounting position	+/-180° rotation possible on vertical mounting surface; can be tilted forward and backward by +/- 22.5° on vertical mounting surface	
Mounting type	screw and snap-on mounting onto 35 mm standard mounting rail	
Height	57.5 mm	
Width	45 mm	
Depth	73 mm	
Required spacing		
<ul style="list-style-type: none"> • with side-by-side mounting <ul style="list-style-type: none"> — forwards — upwards — downwards — at the side 		
<ul style="list-style-type: none"> • for grounded parts <ul style="list-style-type: none"> — forwards — upwards — at the side — downwards 		
<ul style="list-style-type: none"> • for live parts <ul style="list-style-type: none"> — forwards — upwards — downwards — at the side 		
		10 mm
		10 mm
		10 mm
		0 mm
		10 mm
		10 mm
		6 mm
		10 mm
		10 mm
	10 mm	
	6 mm	

Connections/ Terminals

Type of electrical connection	screw-type terminals
<ul style="list-style-type: none"> • for auxiliary and control current circuit 	

Type of connectable conductor cross-sections	
<ul style="list-style-type: none"> • for auxiliary contacts <ul style="list-style-type: none"> — single or multi-stranded — finely stranded with core end processing • at AWG conductors for auxiliary contacts 	<p>2x (0,5 ... 1,5 mm²), 2x (0,75 ... 2,5 mm²), 2x 4 mm²</p> <p>2x (0.5 ... 1.5 mm²), 2x (0.75 ... 2.5 mm²)</p> <p>2x (20 ... 16), 2x (18 ... 14), 2x 12</p>

Safety related data

B10 value	
<ul style="list-style-type: none"> • with high demand rate acc. to SN 31920 	1 000 000; With 0.3 x I _e
Proportion of dangerous failures	
<ul style="list-style-type: none"> • with low demand rate acc. to SN 31920 • with high demand rate acc. to SN 31920 	<p>40 %</p> <p>73 %</p>
Failure rate [FIT]	
<ul style="list-style-type: none"> • with low demand rate acc. to SN 31920 	100 FIT
Product function	
<ul style="list-style-type: none"> • positively driven operation acc. to IEC 60947-5-1 	Yes
T1 value for proof test interval or service life acc. to IEC 61508	20 y

Certificates/ approvals

General Product Approval	EMC
--------------------------	-----



[KC](#)



Functional Safety/Safety of Machinery	Declaration of Conformity	Test Certificates	Marine / Shipping
---------------------------------------	---------------------------	-------------------	-------------------

[Type Examination Certificate](#)



[Miscellaneous](#)

[Type Test Certificates/Test Report](#)

[Special Test Certificate](#)



Marine / Shipping



other

[Confirmation](#)



Further information

Information- and Downloadcenter (Catalogs, Brochures,...)

www.siemens.com/sirius/catalogs

Industry Mall (Online ordering system)

<https://mall.industry.siemens.com/mall/en/en/Catalog/product?mlfb=3RH2122-1JB40>

Cax online generator

<http://support.automation.siemens.com/WW/CAXorder/default.aspx?lang=en&mlfb=3RH2122-1JB40>

Service&Support (Manuals, Certificates, Characteristics, FAQs,...)

<https://support.industry.siemens.com/cs/ww/en/ps/3RH2122-1JB40>

Image database (product images, 2D dimension drawings, 3D models, device circuit diagrams, EPLAN macros, ...)

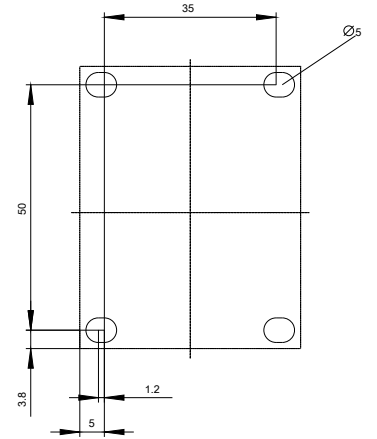
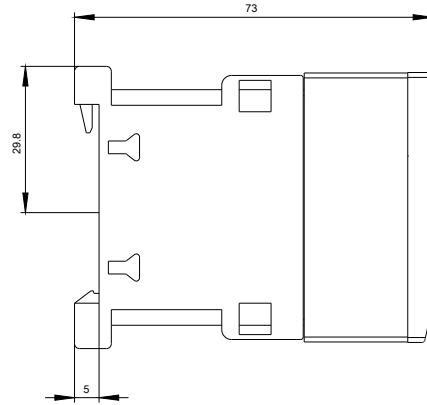
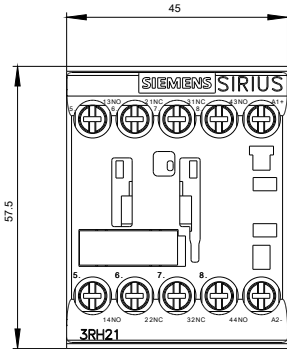
http://www.automation.siemens.com/bilddb/cax_de.aspx?mlfb=3RH2122-1JB40&lang=en

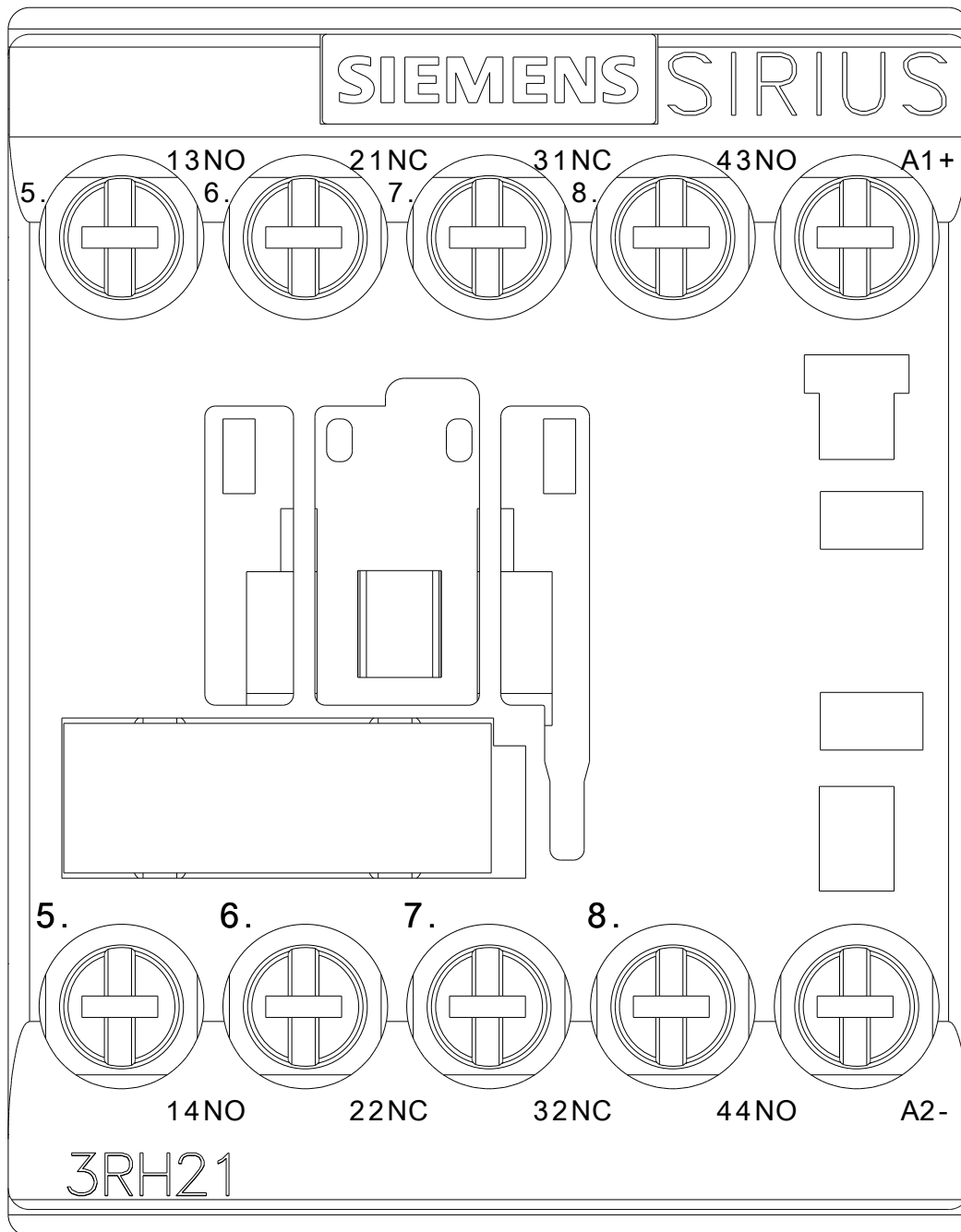
Characteristic: Tripping characteristics, I²t, Let-through current

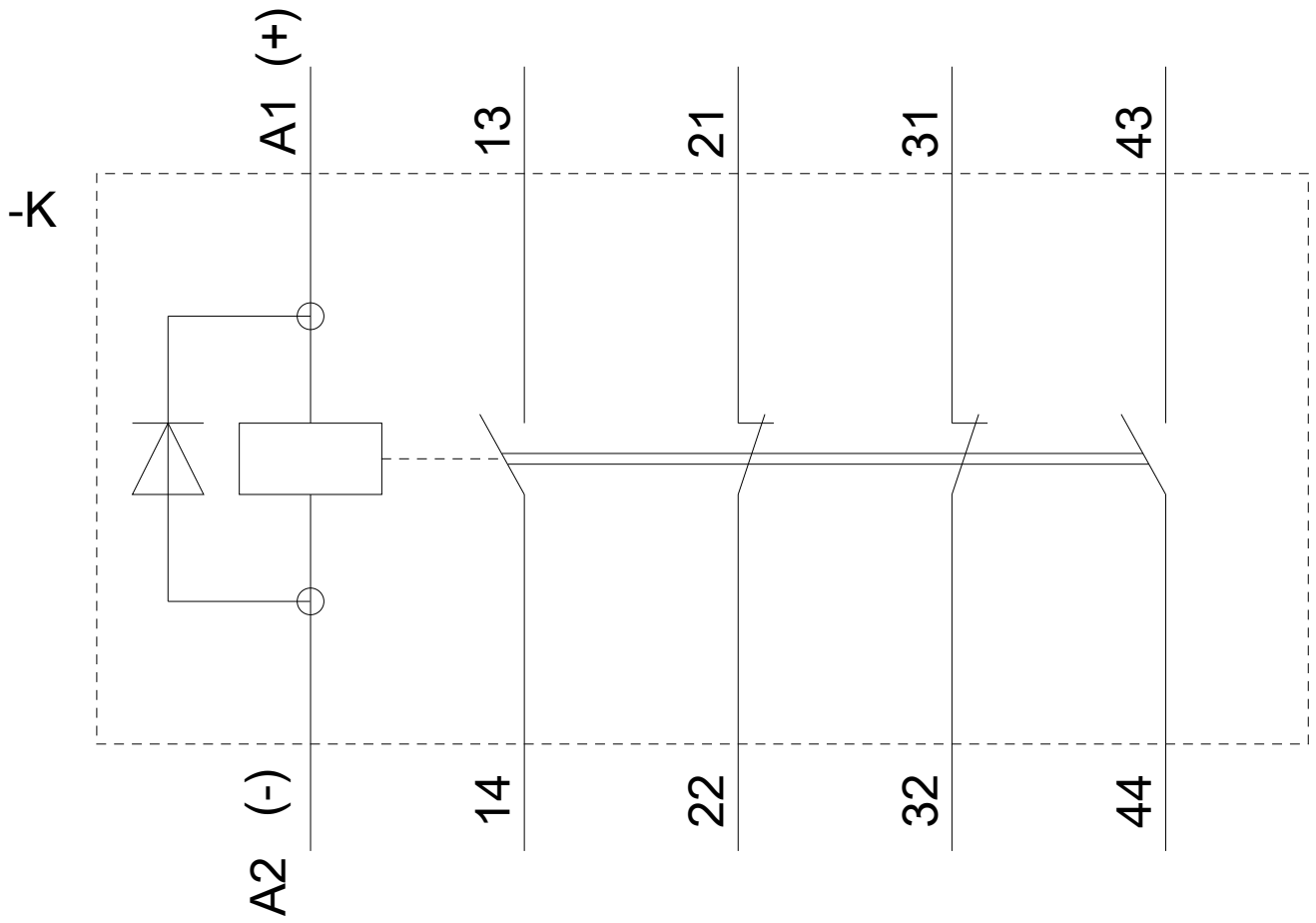
<https://support.industry.siemens.com/cs/ww/en/ps/3RH2122-1JB40/char>

Further characteristics (e.g. electrical endurance, switching frequency)

<http://www.automation.siemens.com/bilddb/index.aspx?view=Search&mlfb=3RH2122-1JB40&objecttype=14&gridview=view1>







last modified:

09/17/2019