



MODEL FFB

FAST FILL PRESSURE REGULATOR & BACKFLOW PREVENTER (DCAP)

(35-600-BF SERIES)

Job Name:	Contractor:
Job Location:	P.O. Number:
Engineer:	Representative:
Tag:	Wholesale Distributor:

DESCRIPTION

The Apollo® Model FFB Combination Backflow Preventer and Fast Fill Pressure Regulator is designed to protect residential and commercial potable water supply lines from back-siphonage or backpressure on Hot Water Heating Boilers. An intermediate atmospheric vent ensures positive protection from backflow conditions. The pressure regulator provides boiler make up water at the desired pressure and includes a purge / quick fill feature.

FEATURES

- All brass / bronze construction
- Choice of NPT or Solder inlet connections
- Designed for continuous pressure
- Independently acting check valves
- In-line replaceable cartridge
- Purge lever / high capacity fast fill feature
- No steel cage screws
- Factory pre-set at 15 psig - Adjustable 10 to 25 psig
- Unthreaded vent port option (-C)
- MADE IN THE USA

MATERIAL SPECIFICATIONS

Feed Water Pressure Regulator

Part Name	Material
Adjustment Screw	Brass
Spring	Steel, Zn Plated
Housing	Bronze
Body	Bronze
Lever	Steel, Zn Plated

Dual Check with Atmospheric Port

Part Name	Material
Body	Bronze
Seat Discs & O-Rings	EPDM
Seats & Poppets	Glass-filled Noryl®
Spring & Seat Retainer	Glass-filled Noryl®
Springs	Stainless Steel

APPROVALS

ASSE® 1012 and CSA® B64.3



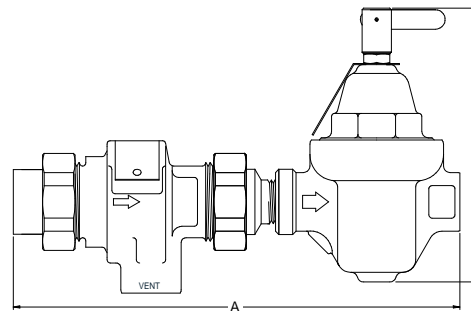
PERFORMANCE RATING

Maximum Operating Pressure 175 psi
 Temperature Range 33 °F – 210°F
 Factory Pre-set at 15 psi

ORDERING INFORMATION

- 356A3BF (FFB-12)
(Union FNPT Inlet X FNPT Outlet)
- 356H3BF (FFBS-12)
(Union Solder Inlet X FNPT Outlet)
- 356A3BFC (FFBC-12)
(Union FNPT inlet x FNPT Outlet, unthreaded vent)
- 356H3BFC (FFBSC-12)
(Union Solder Inlet X FNPT Outlet, unthreaded vent)

Model	Series	Size	A (in.)	B (in.)	Wt. (lbs)
FFB-12	356A3BF	½"	8.5	5.25	4.5
FFBS-12	356H3BF	½"	8.5	5.25	4.4



Conbraco Industries, Inc. 701 Matthews Mint Hill Rd. Matthews NC 28105 USA; www.apollovalves.com; 704-841-6000

This specification is provided for reference only. Conbraco reserves the right to change any portion of this specification without notice and without incurring obligation to make such changes to Conbraco products previously or subsequently sold.