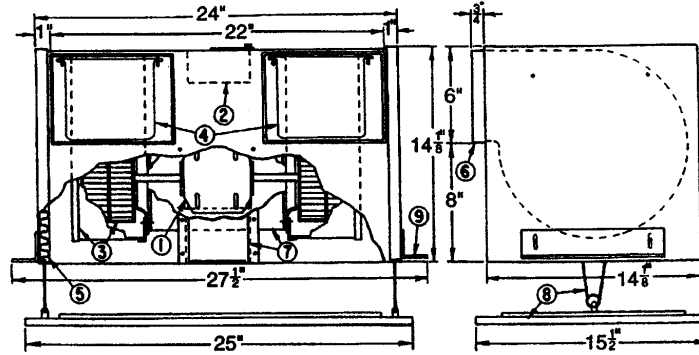


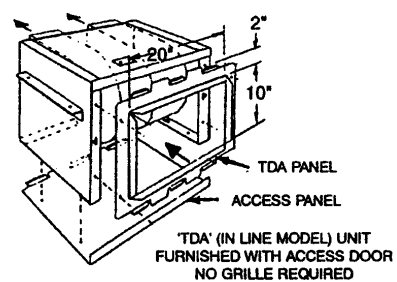
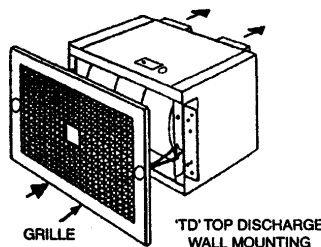
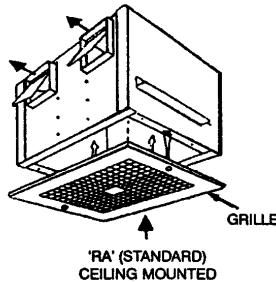
# Zephyr

## Models Z101S, Z102S, Z12S, Z121S, Z102H, Z12H



### Legend

- |   |  |
|---|--|
| <ul style="list-style-type: none"> <li>1. Permanently Lubricated Motor</li> <li>2. Accessible Terminal Box &amp; Receptacle</li> <li>3. Centrifugal Blower Wheels &amp; Housings</li> <li>4. Backdraft Damper</li> <li>5. Acoustically Insulated Housing</li> </ul> | <ul style="list-style-type: none"> <li>6. Duct Sleeve</li> <li>7. Blower &amp; Motor Support Plates</li> <li>8. Removable Decorator Deluxe Grille with Self-Adjusting Spring - 85% Free Area</li> <li>9. Adjustable Mounting Flange</li> </ul> |
|---|--|



Speed Control or Time Delay Switch	Flat Roof Cap	Brick Vent/Wall Cap																												
	<table border="1" style="margin-bottom: 10px;"> <thead> <tr> <th>Model</th> <th>Roof Cap</th> </tr> </thead> <tbody> <tr> <td>Z101S, Z102S</td> <td>WCF10</td> </tr> <tr> <td>Z12S, Z121S</td> <td>WCF12</td> </tr> <tr> <td>Z102H, Z12H</td> <td>WCF14</td> </tr> </tbody> </table> <table border="1"> <thead> <tr> <th>Model</th> <th>A Dia.</th> <th>L Dia.</th> <th>H</th> <th>E sq.</th> </tr> </thead> <tbody> <tr> <td>WCF10</td> <td>11</td> <td>21</td> <td>15 1/2</td> <td>21 1/4</td> </tr> <tr> <td>WCF12</td> <td>13</td> <td>25</td> <td>17</td> <td>24</td> </tr> <tr> <td>WCF14</td> <td>15</td> <td>28</td> <td>17</td> <td>28</td> </tr> </tbody> </table>	Model	Roof Cap	Z101S, Z102S	WCF10	Z12S, Z121S	WCF12	Z102H, Z12H	WCF14	Model	A Dia.	L Dia.	H	E sq.	WCF10	11	21	15 1/2	21 1/4	WCF12	13	25	17	24	WCF14	15	28	17	28	<p style="text-align: center;">MODEL B120      MODEL SL20</p>
Model	Roof Cap																													
Z101S, Z102S	WCF10																													
Z12S, Z121S	WCF12																													
Z102H, Z12H	WCF14																													
Model	A Dia.	L Dia.	H	E sq.																										
WCF10	11	21	15 1/2	21 1/4																										
WCF12	13	25	17	24																										
WCF14	15	28	17	28																										
<p>Time Delay: Model AM12</p> <p>Speed Control: Model LT30 - Z101S</p> <p>Model LT50 - Z102S, Z12S, Z121S</p> <p>Model LT40 - Z102H, Z12H</p>	<p><b>Models WCF10, WCF12 &amp; WCF14</b></p>	<p><b>Model B120 - All Models*</b></p> <p><b>*Except Z101S - use SL20 Wall Cap</b></p>																												

**Material:** Galvanized Steel Housing

<p style="font-weight: bold; letter-spacing: 0.5em;">PENN BARRY™</p> <p>1401 North Plano Road, Richardson, TX 75081 Ph: 972.234.3202 Fax: 972.497.0468 www.PennBarry.com</p>	<h2 style="margin: 0;">Submittal Sheet</h2> <h3 style="margin: 0;">Zephyr Ceiling Fans</h3> <h3 style="margin: 0;">Quiet In-Line Exhaust Fans</h3>
--	--

This drawing illustrates our understanding of order requirements. When approved, it represents details for fabrication, as such, PennBarry will not be responsible for revisions in the field or other changes after release for fabrication. Published and protected by PennBarry, Richardson, TX. All rights reserved. May not be reproduced partially or in full without permission from the publisher. No rights conveyed to manufacture partially or in full, use or sell either the method of construction represented or any invention in any way related thereto.