

BLAST GATES THREADED

MODEL: 1381 - AV - T

Revision: 0

BULLETIN
1381

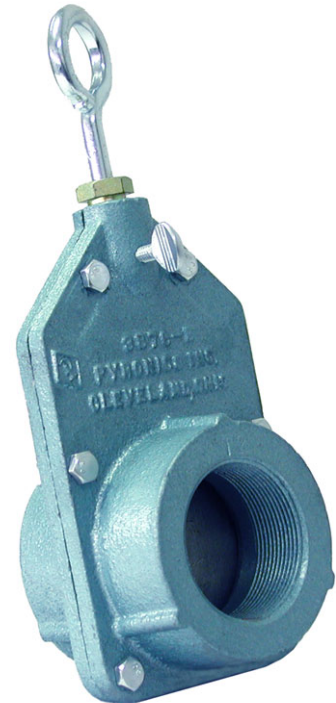
DESCRIPTION

Pull Handle blast gates are low cost, rugged valves used for manual air flow control on combustion systems. These units are designed for air pressures up to 5 psig or low pressure air up to 600 °F.

The slides on all size blast gates are stainless steel. Slides are swivel mounted on shafts – a tamper-proof assembly. Shaft can be rotated without damaging the gate. The slide is precision mounted between accurately machined flanges for smooth and easy operation. Stem packing gland is provided for “leak-resistant” construction.

All gates are equipped with an adjustable thumb screw lock to prevent movement from vibration. They are also available with an optional minimum stop.

Threaded connection blast gates are available in sizes from 1” to 6”.



APPLICATIONS

- Low Pressure Air Control
- Viewing Ports with Peepsights
- Fixed By-Pass Orifices
- Gravity Fed Feedstock Control
- Fertilizer Distribution
- Granular Glaze Distribution
- Manual Stack Pressure Control

FEATURES

- Stainless steel gates are standard for all sizes.
- Swivel mounted gate and shaft assembly.
- Thumb screw shaft locks.
- Free floating gate -- will not bind.
- Cast iron construction.
- Available with minimum stop arrangement.

CAUTION: Operation of combustion equipment can be hazardous resulting in bodily injury or equipment damage. Each burner should be supervised by a combustion safeguard and only qualified personnel should install, make system adjustments and perform any required service.



pyronics inc.

COMBUSTION FOR INDUSTRY

17700 MILES ROAD
CLEVELAND, OH 44128
www.pyronics.com

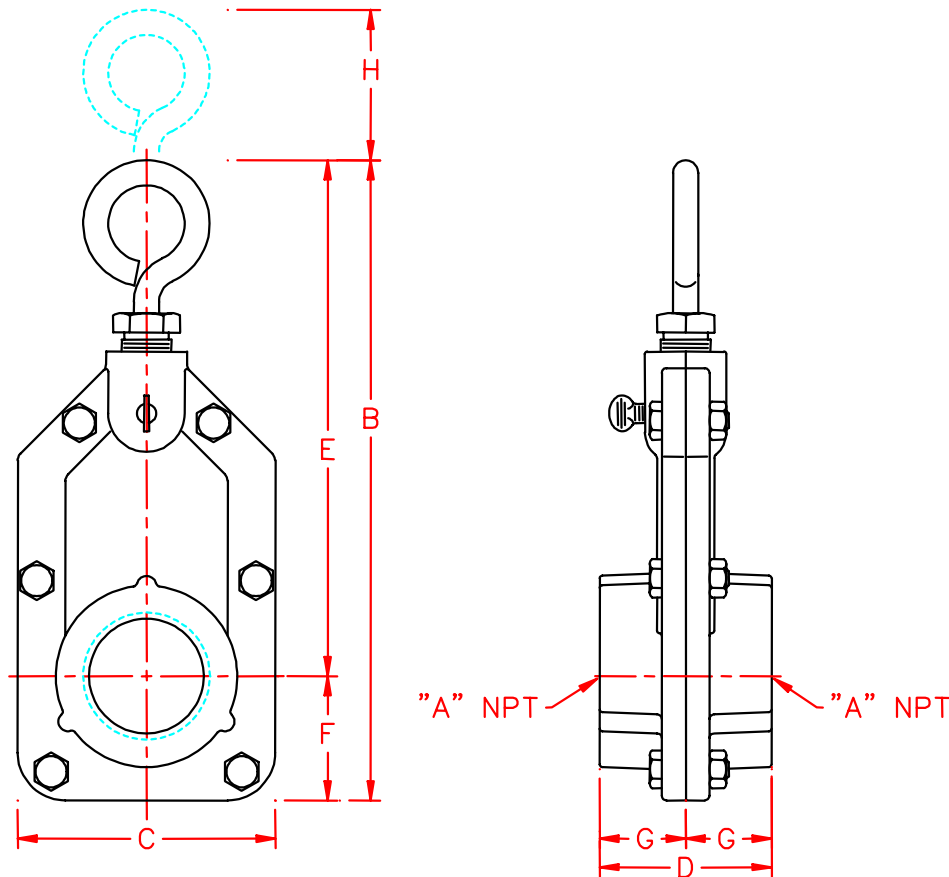
Tel: 216-662-8800
Fax: 216-663-8954
marketing@pyronics.com

NOTICE: PYRONICS practices a policy of continuous improvement in the design of its products. It reserves the right to change the specifications at any time without prior notice.

BLAST GATES THREADED

BULLETIN 1381
PAGE NO. 2

DIMENSIONS



Model Number	A	B	C	D	E	F	G	H	Weight	
									Lbs.	Kgs.
8 AV-T	1	8-3/8	3-3/8	2-1/4	6-3/4	1-5/8	1-1/8	1-7/8	4.3	1.95
10 AV-T	1-1/4	8-3/8	3-3/8	2-1/4	6-3/4	1-5/8	1-1/8	1-7/8	4.1	1.86
12 AV-T	1-1/2	8-3/8	3-3/8	2-1/4	6-3/4	1-5/8	1-1/8	1-7/8	3.5	1.58
16 AV-T	2	10-1/4	4	3-1/8	8-1/4	2	1-9/16	2-1/4	7.5	3.40
20 AV-T	2-1/2	10-1/4	4	3-1/8	8-1/4	2	1-9/16	2-1/4	6.0	2.72
24 AV-T	3	12-1/2	5-3/4	3-7/8	9-5/8	2-7/8	1-15/16	3-3/4	13.1	5.94
32 AV-T	4	14-1/2	6-1/2	4	11	3-1/2	2	4-1/4	15.2	6.90
48 AV-T	6	18-1/8	9	4-5/8	13-5/8	4-1/2	2-5/16	6-3/8	38.8	17.61

NOTE: All dimensions are in inches.

ORDERING INFORMATION

1. Specify Model Number and Quantity
2. Shipping Instructions

The content on or accessible through CombustionDepot.com, (including, but not limited to) text, graphics and other materials, are provided by CombustionDepot.com, for informational purposes only. CombustionDepot.com does not claim ownership to any of the photos, images, or pictures of products on the site. These depictions are solely for information purposes and may not be an exact replication of the related product available for sale. All PDF and specification pages are gathered from the OEM web sites or publicly available information. CombustionDepot.com does not claim responsibility for any of the information found on these bulletins, documents, literature, specification charts, etc. and such information is subject to change without notice.